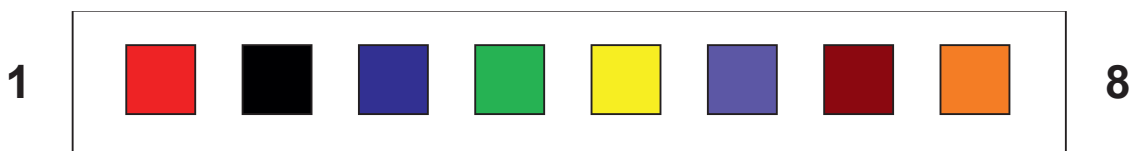
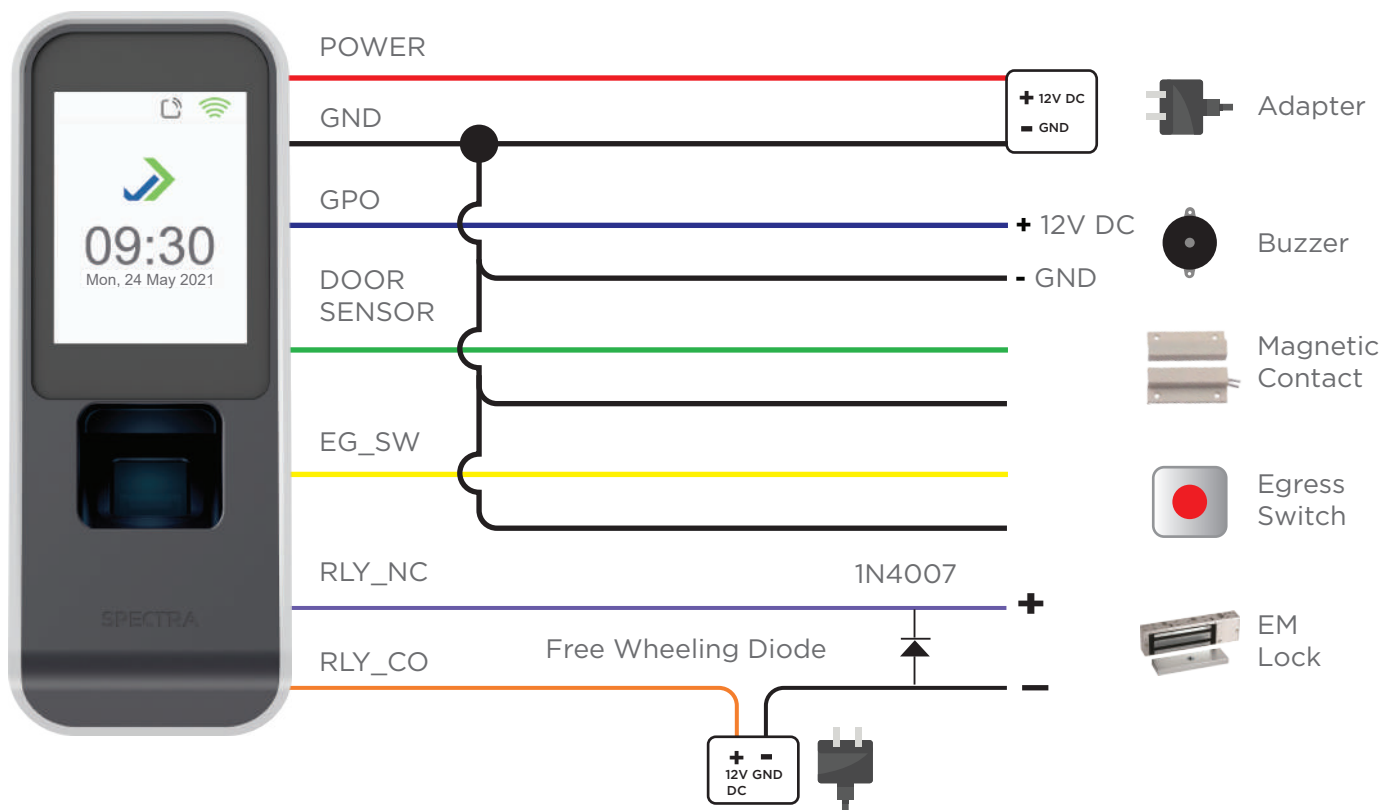


WIRED GLOSSARY



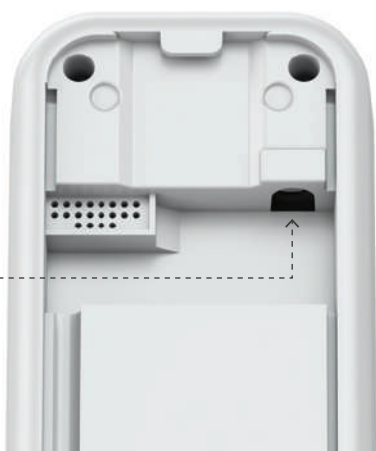
*Connection details when the device is used as Single Door Access Controller

No.	Signal Name	Color Code	Descriptions
1	12V DC	■ RED	Input Voltage (12V DC)
2	GND	■ BLACK	Ground
3	GPO	■ BLUE	General Purpose Output
4	DOOR SENSOR	■ GREEN	Door Position Sensor Input
5	EG_SW	■ YELLOW	Egress Switch Input
6	RLY_NC	■ PURPLE	Relay connection normally close
7	RLY_NO	■ BROWN	Relay connection normally open
8	RLY_CO	■ ORANGE	Relay connection common



GETTING STARTED

1. Remove the mounting plate from the device.
2. Install the mounting plate at the desired location. (Recommended: 120-140 cm from the floor to the top of the device).
3. Make sure the required connections are wired to the device.
4. Hang your device on the mounting plate and secure it on the bottom with the same screw provided. Do not use any other screw.



CONNECTING THE ADAPTER

1. The device comes with a power adapter. Use the adapter to power on the device as illustrated below.

DOOR ACCESS CONTROL

Apart from Time & Attendance, Biot can also be used for controlling user access through a door.

Below access components can be interfaced with the device.

1. EM Lock or a Door Strike
2. Egress Switch
3. Door position Monitoring Magnetic contact sensor



DOWNLOAD THE BIOT APP

Please download BIOT App from the AppStore, create a cloud account and follow the instruction on the app to link the device with the account.

The device would need wifi connection in order to get connected to the cloud.

